



**STANDARD
CONSTRUCTION
DETAILS**

HIKE AND BIKE TRAIL

APRIL 2019

TABLE OF CONTENTS

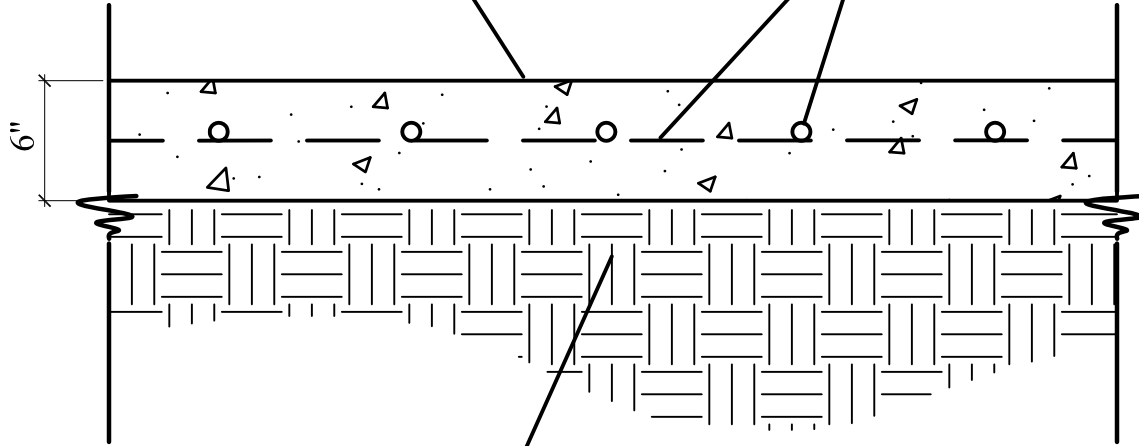
HIKE AND BIKE TRAIL

CONCRETE PEDESTRIAN PAVING.....	1.01
EXPANSION JOINT.....	1.02
DOWEL JOINT.....	1.03
CONTROL JOINT.....	1.04
SIDEWALK/TRAIL WARNING BAND.....	1.05
EXPANDED PAVEMENT EDGE.....	1.06
TRAIL CONNECTION.....	1.07



CONCRETE TRAIL W/
MEDIUM TO LIGHT
TRANSVERSE BROOM
FINISH (3,600 P.S.I)

3 REBAR @ 12"O.C.
BOTH WAYS



COMPACTED SUB-GRADE
95% PROCTOR



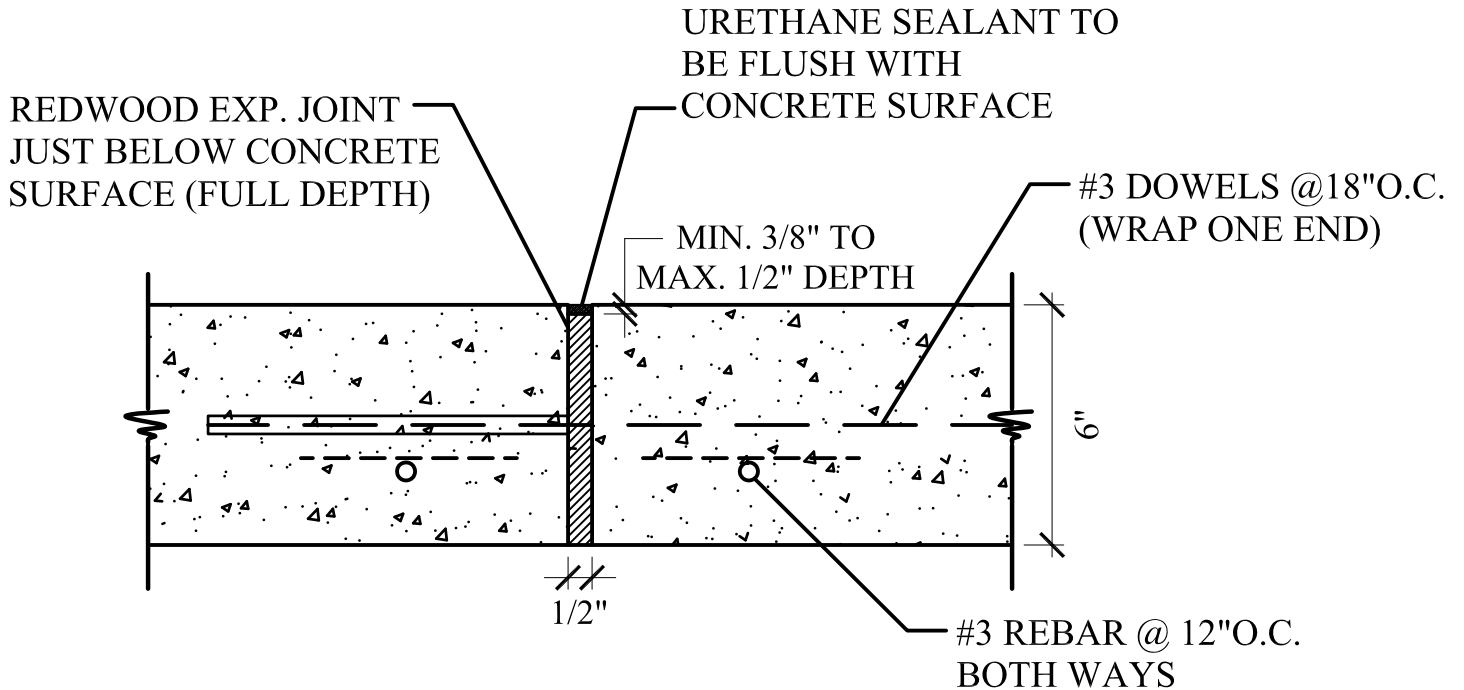
CONCRETE PEDESTRIAN PAVING

NTS

TRAIL PAVING DETAIL

CITY OF ALLEN, TEXAS

DATE:	REV.:	SCALE:	DRAWN BY:	SHEET NO.:
10/07	3/15 4/19	NTS	MM/LC	1.01



NOTE:

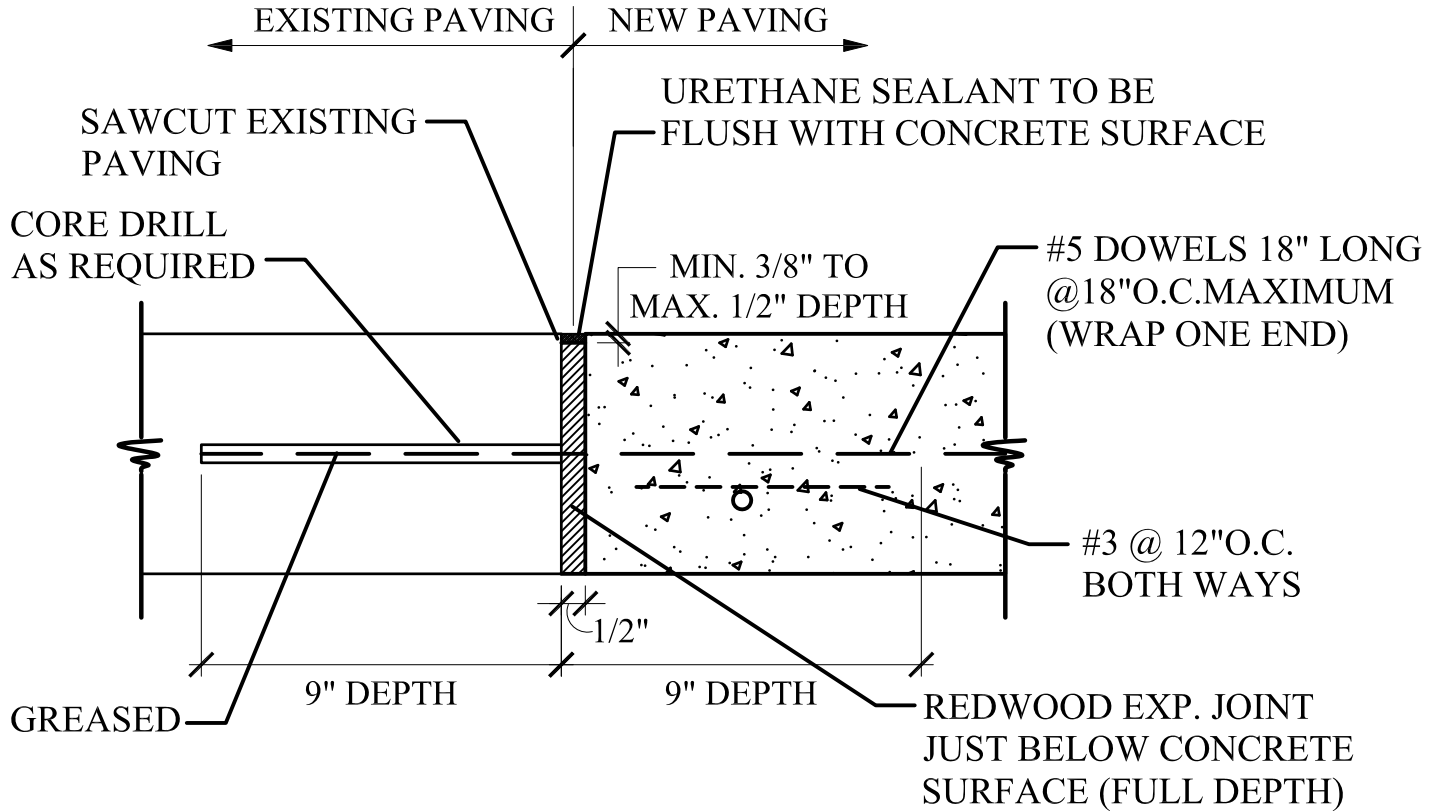
1. JOINT LAYOUT ILLUSTRATED ON PLANS
2. THIS DETAIL APPLIES TO ALL CAST-IN-PLACE CONCRETE PAVING
3. EXPANSION JOINTS TO BE PERPENDICULAR TO CONCRETE TRAIL EDGE
4. EXPANSION JOINTS TO BE SPACED ON INTERVALS OF MULTIPLE SAW CUT PANELS EQUALING THE WIDTH OF THE TRAIL OR PEDESTRIAN PAVING, VARIES PER FIELD CONDITIONS CONTACT CITY OF ALLEN LANDSCAPE ARCHITECT.

B EXPANSION JOINT
NTS

TRAIL PAVING DETAIL

CITY OF ALLEN, TEXAS

DATE:	REV.:	SCALE:	DRAWN BY:	SHEET NO.:
10/07	3/15 4/19	NTS	MM/LC	1.02



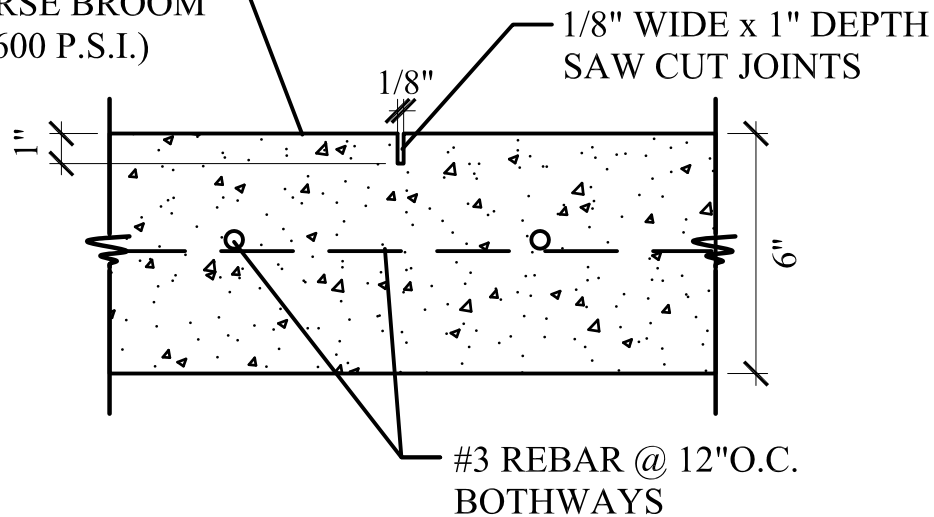
C **DOWEL JOINT**
NTS

TRAIL PAVING DETAIL

CITY OF ALLEN, TEXAS

DATE:	REV.:	SCALE:	DRAWN BY:	SHEET NO.:
10/07	3/15 4/19	NTS	MM/LC	1.03

CONCRETE PAVING
W/ MEDIUM TO LIGHT
TRANSVERSE BROOM
FINISH (3,600 P.S.I.)



NOTE:

1. JOINT LAYOUT ILLUSTRATED ON PLANS
2. THIS DETAIL APPLIES TO ALL CAST-IN-PLACE CONCRETE PAVING
3. SAW CUTS TO BE PERPENDICULAR TO CONCRETE TRAIL EDGE AND A CONSISTENT STRAIGHT LINE AND DEPTH
4. SAW CUTS TO BE SPACED ON-CENTERS EQUAL TO THE WIDTH OF THE TRAIL OR PEDESTRIAN PAVING

D **CONTROL JOINT**
NTS

TRAIL PAVING DETAIL

CITY OF ALLEN, TEXAS

DATE:	REV.:	SCALE:	DRAWN BY:	SHEET NO.:
10/07	3/15 4/19	NTS	MM/LC	1.04



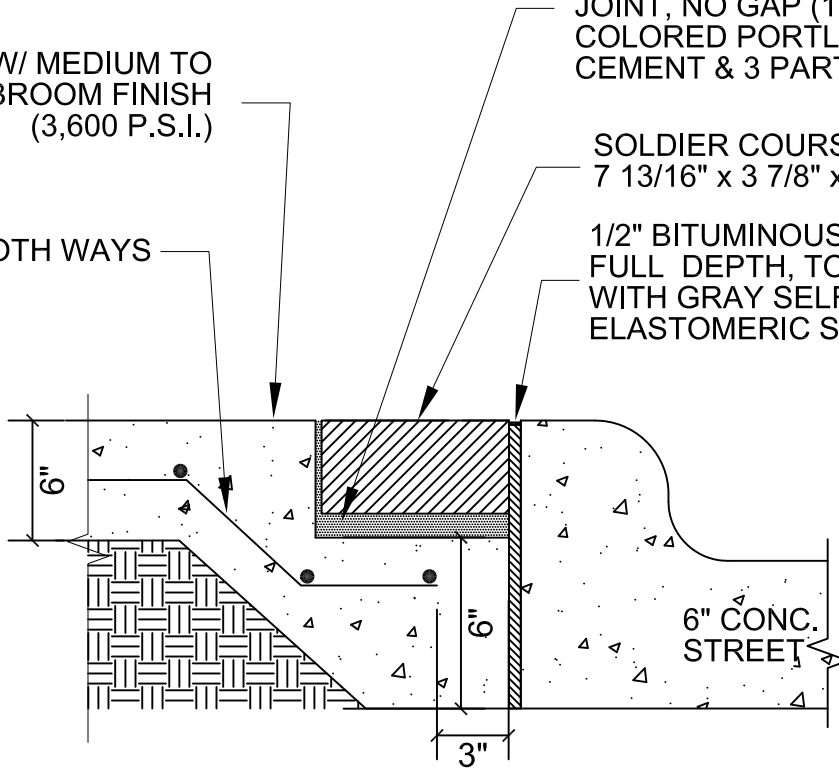
CONCRETE PAVING W/ MEDIUM TO LIGHT TRANSVERSE BROOM FINISH (3,600 P.S.I.)

#3 REBAR @ 12" O.C. BOTH WAYS

HAND SWEEPED SAND INTO JOINT, NO GAP (1 PART COLORED PORTLAND CEMENT & 3 PARTS SAND)

SOLDIER COURSE BRICK PATTERN 7 13/16" x 3 7/8" x 3 1/8"

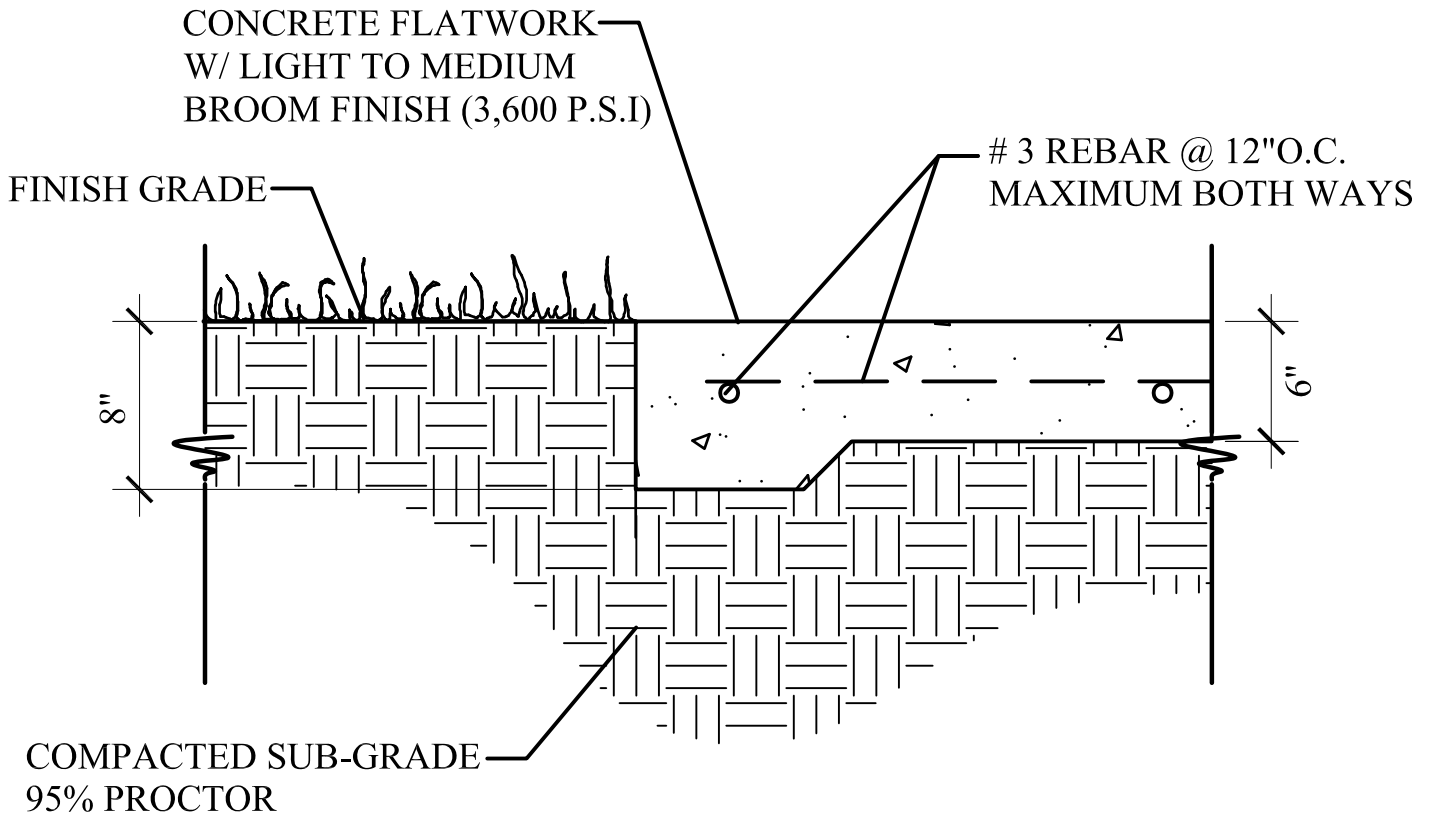
1/2" BITUMINOUS EXPANSION JOINT FULL DEPTH, TOP TO BE SEALED WITH GRAY SELF LEVELING ELASTOMERIC SEALANT.



SIDEWALK/TRAIL WARNING BAND

NTS

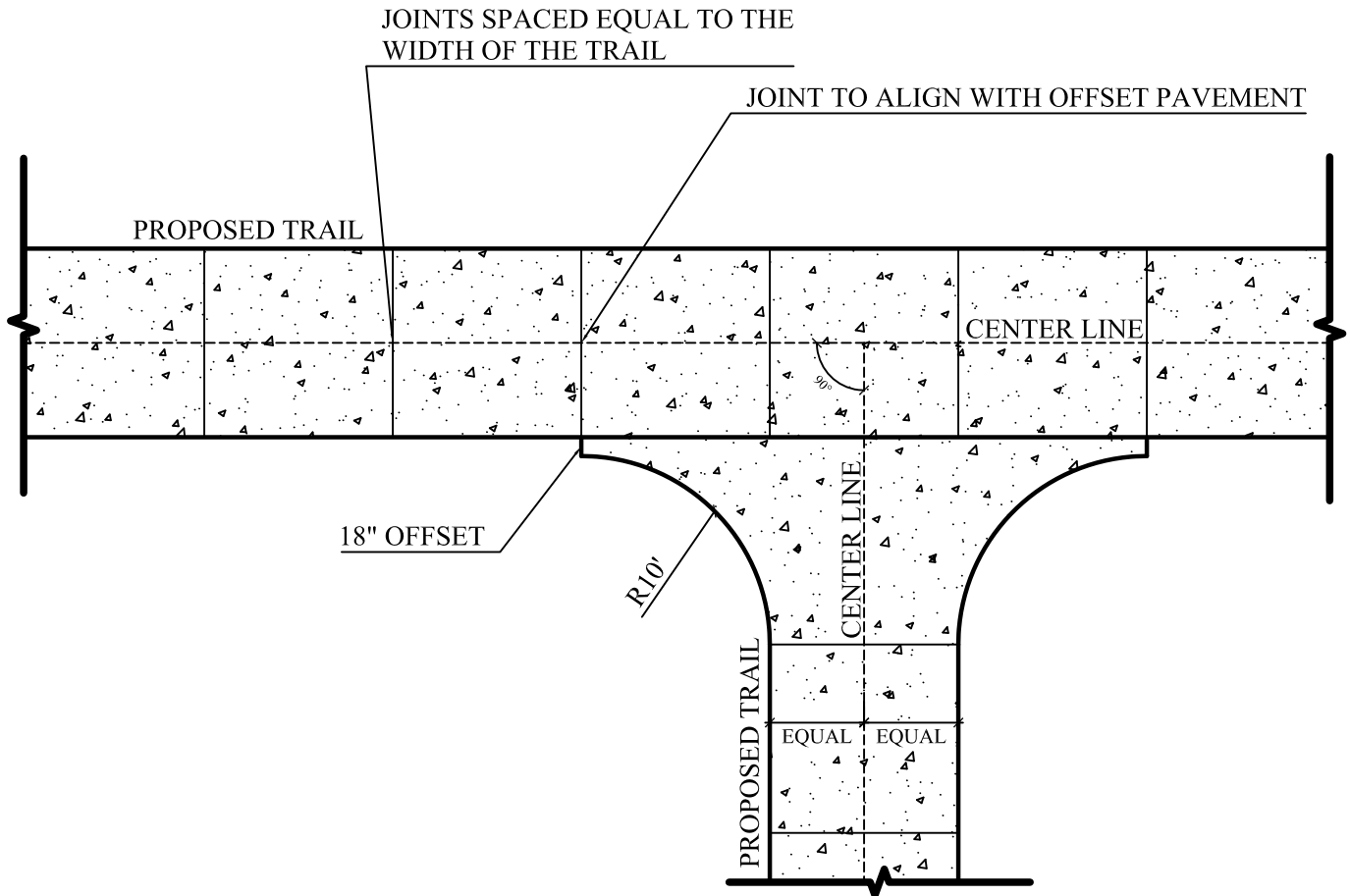
TRAIL PAVING DETAIL				
CITY OF ALLEN, TEXAS				
DATE:	REV.:	SCALE:	DRAWN BY:	SHEET NO.:
10/07	3/15 4/19	NTS	AS/LC	1.05



F **EXPANDED PAVEMENT EDGE**
NTS

**OPTIONAL UNLESS SPECIFIED
FOR TRAIL CONSTRUCTION**

TRAIL PAVING DETAIL				
CITY OF ALLEN, TEXAS				
DATE:	REV.:	SCALE:	DRAWN BY:	SHEET NO.:
2/08	3/15 4/19	NTS	MM/LC	1.06



G

TRAIL CONNECTION

NTS

TRAIL PAVING DETAIL				
CITY OF ALLEN, TEXAS				
DATE:	REV.:	SCALE:	DRAWN BY:	SHEET NO.:
10/07	3/15 4/19	NTS	MM/LC	1.07